

Features

- 36-inch minimum base cabinet width for under-mount or top-mount installation.
- Double equal bowls.
- 9-inch depth.
- Includes 1 faucet hole on rear deck (3 more faucet holes available for knockout with ball-peen hammer & punch).
- Includes cutout templates.
- Includes K-5662 bottom sink rack.
- Optional K-5186 bottom basic rack(sold separately)

Material

- KOHLER Neoroc® composite is durable and built to withstand day-to-day cleaning tasks.
- Matte finish offers rich, dimensional color.
- Solid color throughout the sink.
- Heat resistant up to 750 degrees F.
- Scratch, stain, chip, and thermal-shock resistant.

Installation

- Top-mount or under-mount.

Recommended Products/Accessories

K-8801 Sink Strainer
K-8799 Sink Strainer

Optional Products/Accessories

K-5186 Right-Bowl Sink Rack
K-11352 Disposal Flange with Stopper
K-9000 P-Trap

Included Components

Additional Components:
K-5662



Codes/Standards





CSA B45.5/IAPMO Z124

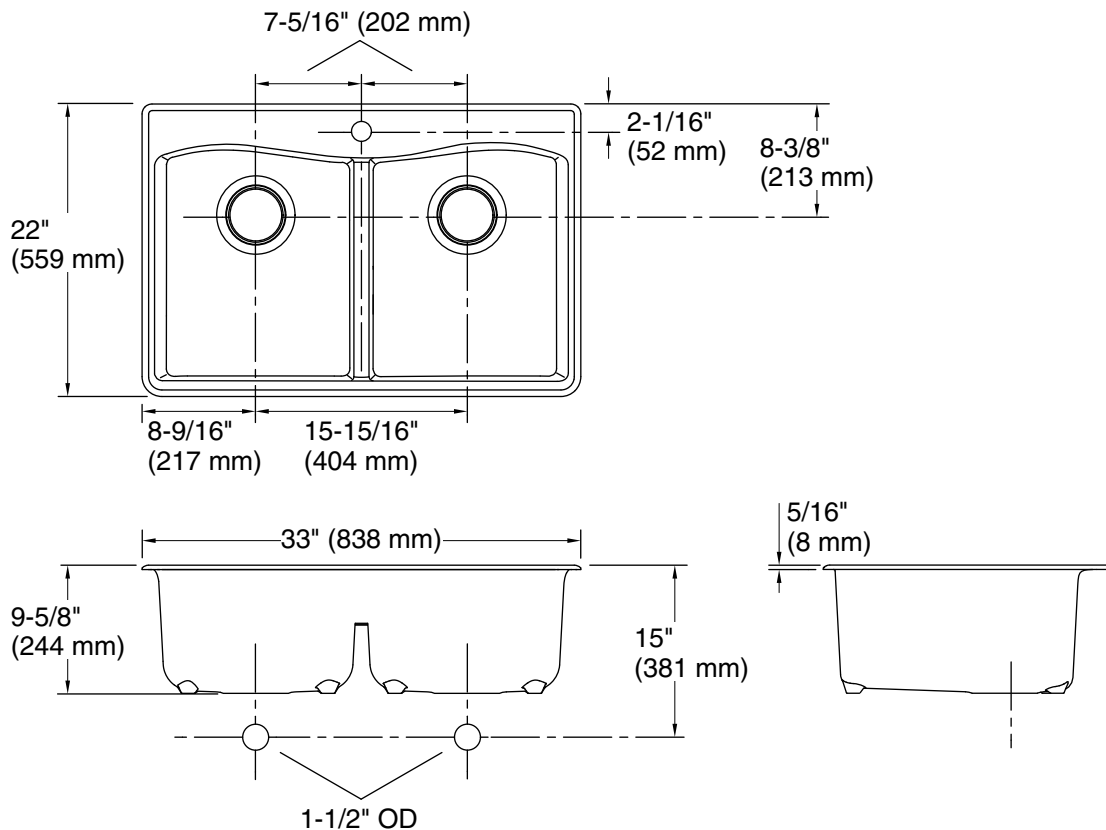
KOHLER® Neoroc® Sinks Lifetime Limited Warranty

See website for detailed warranty information.

Available Colors/Finishes

Color tiles intended for reference only.

Color	Code	Description
	CM7	Matte Graphite
	CM1	Matte Black
	CM2	Matte Brown
	CM3	Matte Toupe



Technical Information

All product dimensions are nominal.

Installation:	Under-mount, Top-mount
Min. base cabinet width:	36" (914 mm)
Bowl area (Left):	Length: 14-9/16" (370 mm) Width: 16-13/16" (427 mm) Bowl depth: 9" (229 mm) Water depth: 9" (229 mm)
Bowl area:	Length: 14-9/16" (370 mm) Width: 16-13/16" (427 mm) Bowl depth: 9" (229 mm) Water depth: 9" (229 mm)
Faucet hole spacing:	4" (102 mm)
Drain hole:	3-7/8" (98 mm)
Template:	1281758-7, required, included

Notes

Install this product according to the installation instructions.